



**John
BOOS**
Since 1887

ITEM #: _____ QTY: _____
 MODEL #: _____
 PROJECT NAME: _____

090718

3601 S. Banker St. Effingham, IL 62401 • P.O. BOX 609 • Ph: (888) 431-2667 • Fax: (800) 433-2667

"PRTC" OVAL SHAPED POT RACKS - STAINLESS STEEL

TABLE MOUNT & STAINLESS STEEL HOOKS



FEATURES:

- TYPE 300 STAINLESS STEEL
- ALL RACKS PROVIDED W/ TYPE 300 STAINLESS STEEL HOOKS (SEE CHART FOR QUANTITY PER SIZE)
- WELDED SETUP
- STANDARD TABLE MOUNT
- NSF AND CSA CERTIFIED

MATERIAL:

- MADE OF 3/16" X 2" STAINLESS STEEL FLAT BAR
- UPRIGHTS: 1-5/8" OD ROUND TUBE, 16GA TYPE 300 STAINLESS STEEL

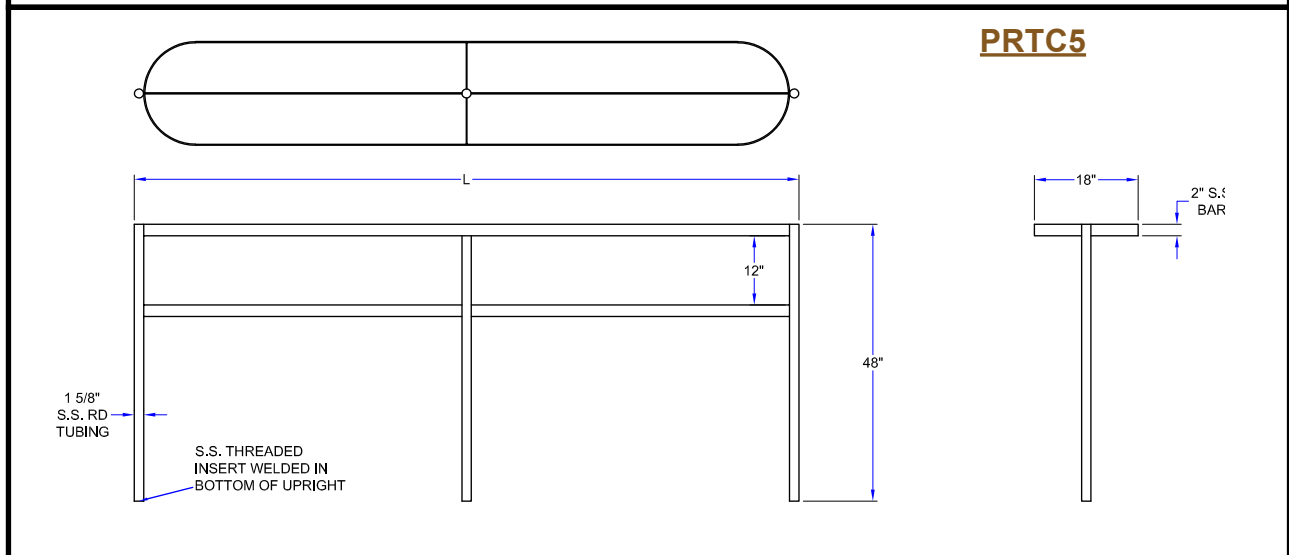
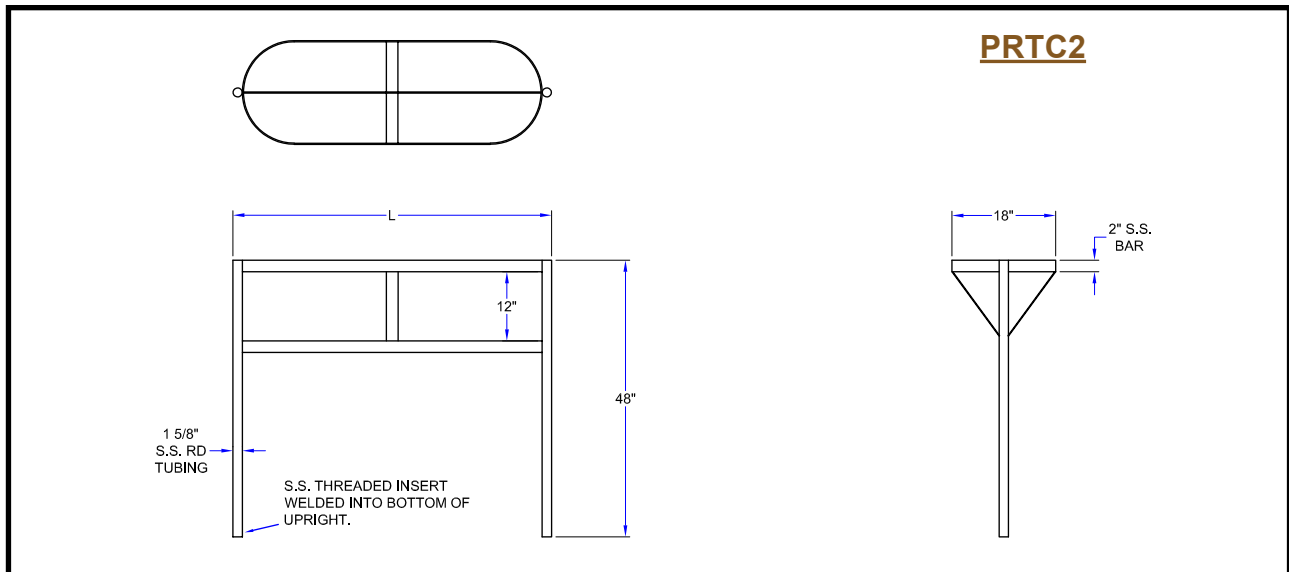


OVAL SHAPED POT RACKS - STAINLESS STEEL

TABLE LENGTH	L	MODEL #	QTY
36"	31-1/4"	PRTC1A	
48"	43-1/4"	PRTC1	
60"	55-1/4"	PRTC2	
72"	67-1/4"	PRTC3	
84"	79-1/4"	PRTC3A *	
96"	91-1/4"	PRTC4 *	
108"	103-1/4"	PRTC4A *	
120"	115-1/4"	PRTC5 *	
132"	127-1/4"	PRTC6 *	
144"	139-1/4"	PRTC7 *	

*Furnished w/ 3 legs

DETAILED SPECIFICATIONS



OVAL SHAPED POT RACKS - STAINLESS STEEL

TABLE LENGTH	L	MODEL #	HOOKS	WEIGHT (LBS)
36"	31-1/4"	PRTC1A	9	20
48"	43-1/4"	PRTC1	12	26
60"	55-1/4"	PRTC2	15	33
72"	67-1/4"	PRTC3	18	40
84"	79-1/4"	PRTC3A *	21	46
96"	91-1/4"	PRTC4 *	24	52
108"	103-1/4"	PRTC4A *	27	59
120"	115-1/4"	PRTC5 *	30	65
132"	127-1/4"	PRTC6 *	33	72
144"	139-1/4"	PRTC7 *	36	79

*Furnished w/ 3 legs

SOME UNITS SHIP UNASSEMBLED FOR REDUCED SHIPPING COST. ALL DIMENSIONS ARE TYPICAL. TOLERANCE +/- .500"
 John Boos & Co. is constantly engaged in a program of improving products and therefore reserves the right to change specifications without prior notice.



3601 S. Banker St. • Effingham, IL 62401 • PO BOX 609 • quotes@johnboos.com

090718



www.johnboos.com

507